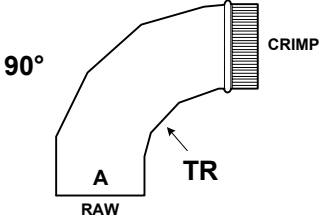
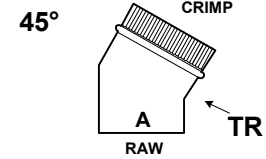
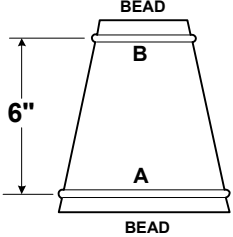
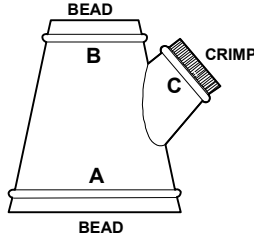
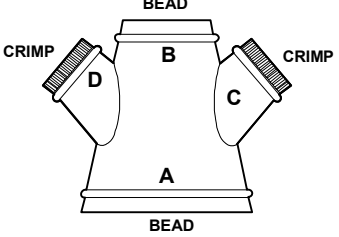
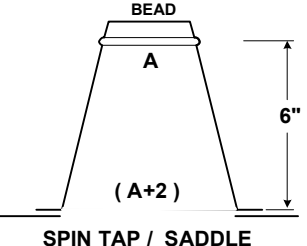
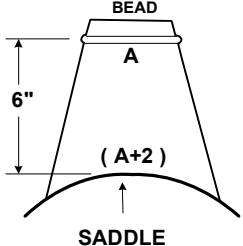
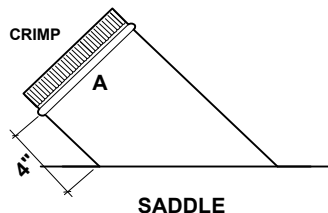
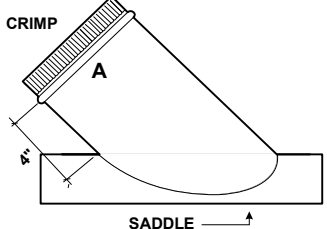
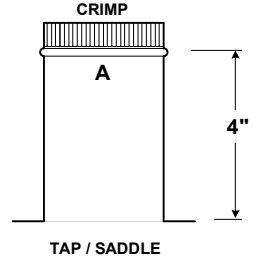
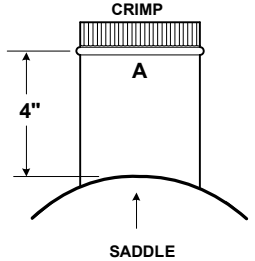
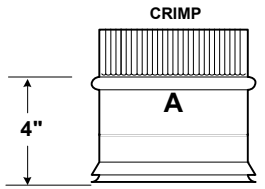
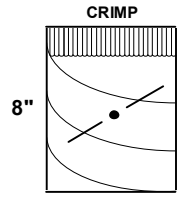
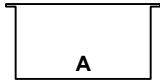


LOW PRESSURE SHEET METAL

STANDARD : 1½" Bead & Crimp

CASCO
(818) 365-9561 • Fax (818) 365-4923

<p>SR90 LR90</p> <p>LONG & SHORT 90° RADIUS ADJUSTABLE ELBOW</p> 	<p>SR45 LR45</p> <p>LONG & SHORT 45° RADIUS ADJUSTABLE ELBOW</p> 	<p>TPR</p> <p>TAPER</p> 	<p>TY</p> <p>WYE</p> 	<p>DTY</p> <p>DOUBLE WYE</p> 
<p>CF</p> 	<p>CR</p> 	<p>FT45</p> <p>45° - FLAT</p> 	<p>FST45</p> <p>45° - SADDLE</p> 	<p>FT</p> 
<p>FST</p> 	<p>ST</p> <p>SPIN IN</p> 	<p>SSD</p> <p>SPIRAL SLEEVE w/ DAMPER</p> 	<p>EC</p> <p>END CAP</p> 	

DETAIL

