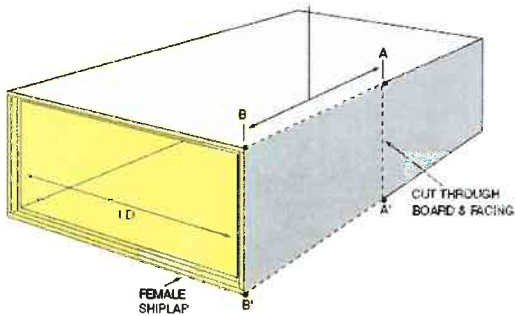
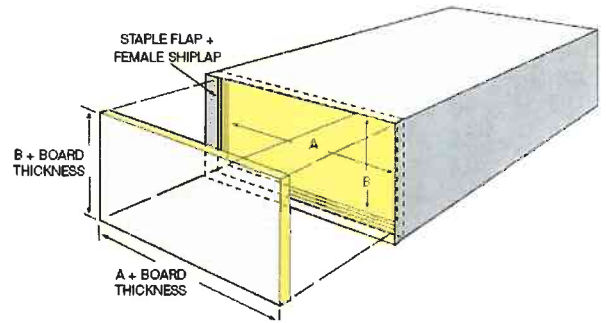


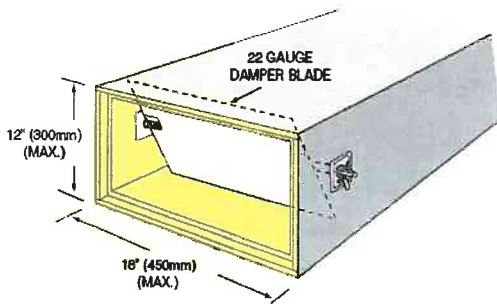
COMMERCIAL DUCTBOARD



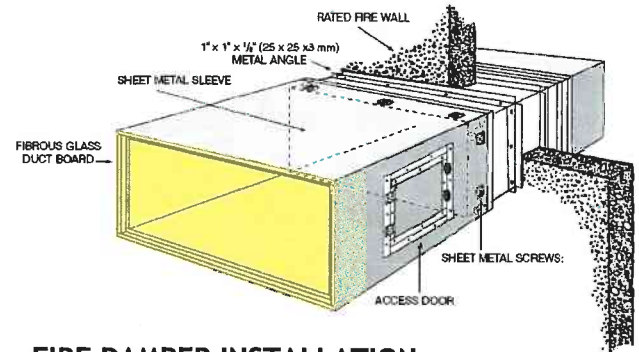
STRAIGHT DUCT



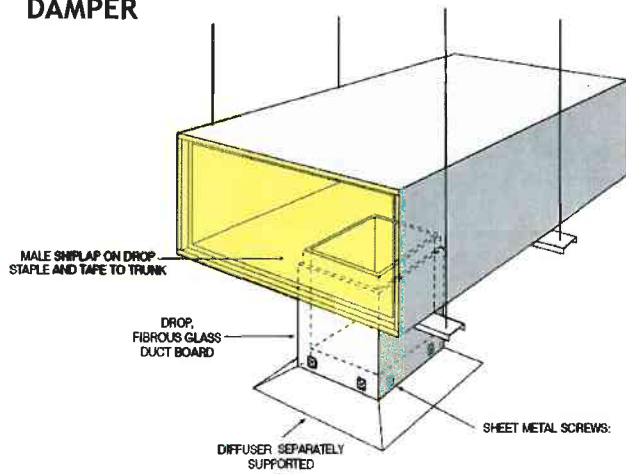
END CAP



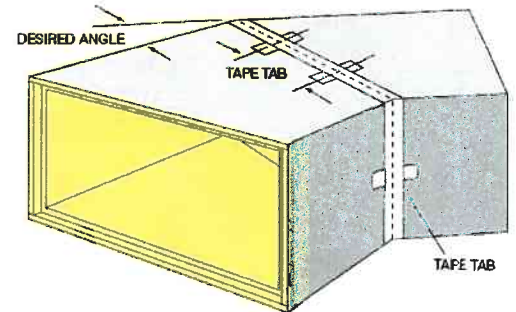
DAMPER



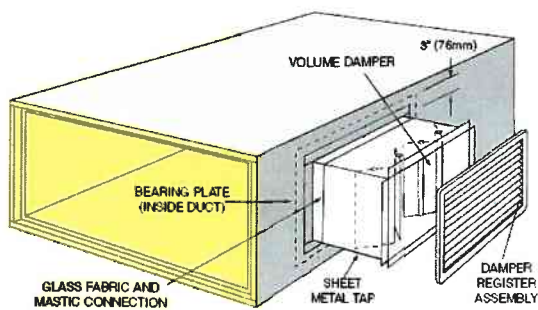
FIRE DAMPER INSTALLATION



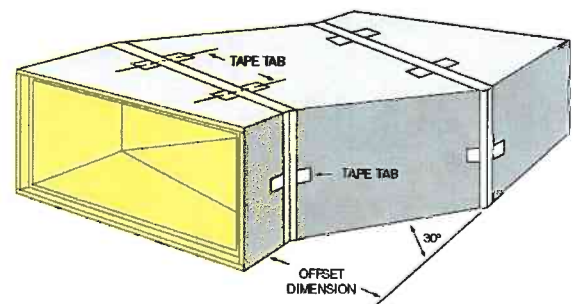
DIFFUSER WITH DROP CENTER



MITTER

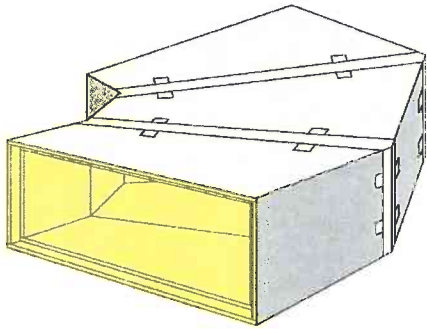


TAP WITH REGISTER ASSEMBLY

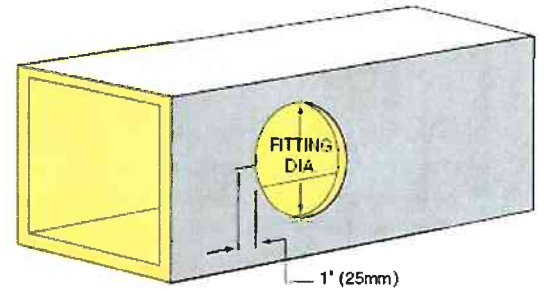


OFFSET

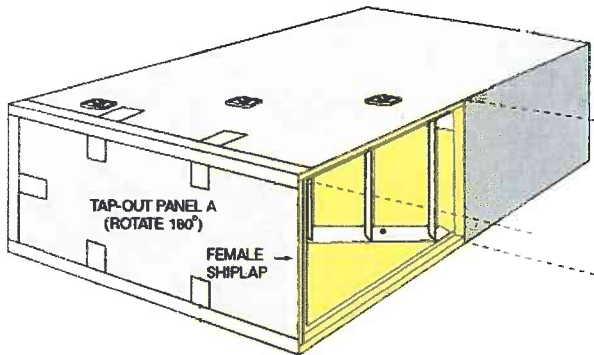
COMMERCIAL DUCTBOARD



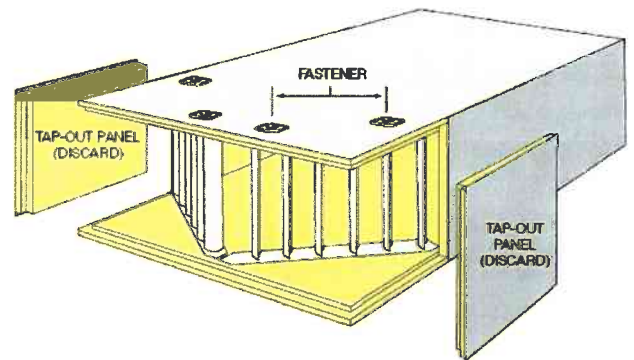
RADIUS ELBOW



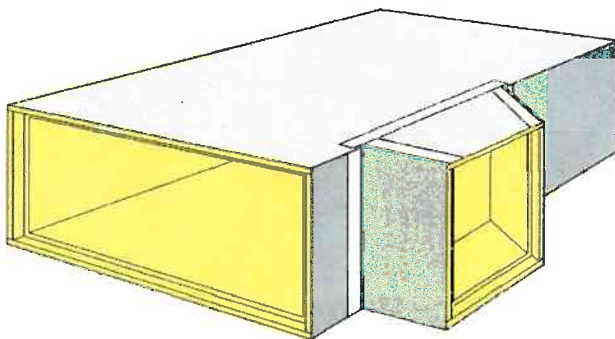
TAP



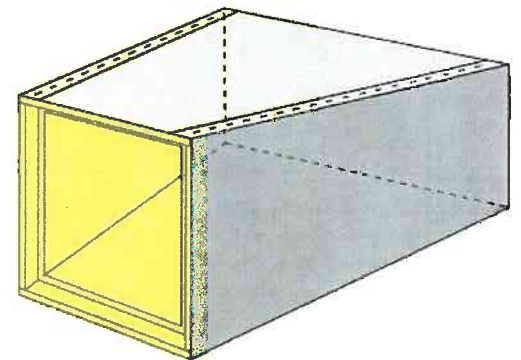
SQUARE ELBOW



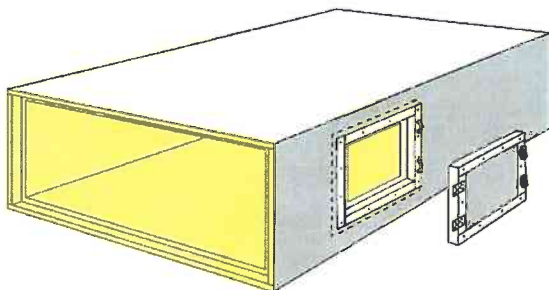
TEE



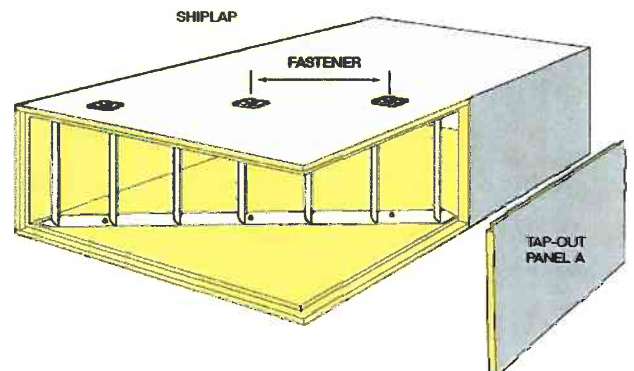
SQUARE TAP



TRANSITION



ACCESS DOOR INSTALLATION



TURNING VANE